

**UPPER SKAGIT INDIAN TRIBE
STEP #2 RECIRCULATION PROJECT**

**ADDENDUM NO. 1 (10 pages total)
Issue Date: February 8, 2018**

General: Recitations of each and every section of the bid documents impacted by this addendum are not given. The described changes impact all relevant portions of the bid documents whether specifically cited below or not.

PRE-BID MEETING ATTENDEES AND AGENDA:

The list of attendees at the mandatory Pre-Bid Meeting has been posted to the project website and the attendees are noted on the Plan holders List. The Pre-Bid Meeting Agenda is attached.

GENERAL CONTRACT CLARIFICATIONS:

1. **Incidental work (Sheet C2.1):** Items of work shown on the Plans or required to perform the work that do not have specific bid items shall be incidental to the work. Specifically, installing the 2-inch pipe may require the removal and replacement of 2 to 3 wooden bollards, for which there is no bid item. It is anticipated that the existing wooden bollards can be re-used.
2. **Schedule / Long Lead Items:** Contractor may install all equipment and appurtenances except any long lead items (flow meter, actuated valve) prior to arrival of said long lead items. Contractor may install the whole system and install pipe blanks in place of the long lead items, then pressure test per General Testing Note 5, Sheet C11, then connect to the existing system. When long lead items arrive, the system can be shut down while the pipe blanks are replaced with the long lead items. Installation must be visually observed once in operation to confirm no leakage. This schedule is optional at the contractor's choice.
3. **Cost Proposal / Bid Form:** The Bid Form (Pages 33-34 of Contract Documents) is adjusted in the following aspects and is re-issued as an attachment to this addendum:

Bid Item No. 6: Clarify that all items shown on WSDOT Standard Plan B12.20-01 are to be included in the cost of this bid item. This includes 6" of compacted gravel backfill for pipe zone bedding at the base, the ladder, manhole ring and cover, etc.

Bid Item No. 7: Change Unit from "LS" to "LF".

Bid Item No. 9: Remove option to use PVC (Sch 80) pipe for portion of pipe installed by impact moling. Pipe installed by impact moling must be HDPE DR17 (or thicker walled pipe).

ADD Bid Item No. 22: Spec. Section 8-19, "Temporarily Remove and Replace Existing Privacy Fence Adjacent to Manhole", 20 LF. This bid item is for the temporary removal and replacement of the privacy fence adjacent to the manhole installation. End post and one line post may need to be removed and replaced to install the manhole. If contractor proposes re-using portions of the existing fence for the replacement, the condition of the final product must be the same as its pre-project condition. Measurement shall be that length of fence needed to be removed and replaced to perform the Work. Payment shall be per linear foot.

ADD Bid Item No. 23: Spec Section 4-02, "Gravel Base", 7 CY. This bid item is for repair of asphalt roadway. It is anticipated that the two tie-in to existing Treated Effluent pipe areas will require removal and replacement of asphalt roadway in the shoulder of the road. Asphalt repair areas will be performed per detail A1 in this addendum.

ADD Bid Item No. 24: Spec Section 4-04, "Crushed Surfacing Top Course", 0.4 CY. This bid item is for repair of asphalt roadway. It is anticipated that the two tie-in to existing Treated Effluent pipe areas will require removal and replacement of asphalt roadway in the shoulder of the road. Asphalt repair areas will be performed per detail A1 in this addendum.

ADD Bid Item No. 25: Spec Section 5-04, "HMA Cl. 1/2" PG 64-22", 0.4 CY. This bid item is for repair of asphalt roadway. It is anticipated that the two tie-in to existing Treated Effluent pipe areas will require removal and replacement of asphalt roadway in the shoulder of the road. Asphalt repair areas will be performed per detail A1 in this addendum.

ADD Bid Item No. 26: "Tie-ins to Existing Pipes", LS. This bid item includes all labor, equipment, and material associated with making the connections of the new pipe to the existing pipe (two locations on Treated Effluent pipe and one location at existing gravity pipe near inlet to septic tank). Includes all efforts needed to dewater the treated effluent pipe as necessary. The treated effluent water that the contractor manages as part of this work must be hauled off-site and disposed of at an approved site (e.g. off-site wastewater treatment plant). The volume of this water may be approximately 1000 gallons. Work includes all fittings, adaptors, joints, saddles needed to connect to existing pipe. Measurement and payment is lump sum.

4. **Clarification:** Subcontractors were not required to attend mandatory walkthrough.

SHEET C2.1:

- Shift manhole and associated valves approximately 3 ft east from where they are shown in the drawing (Keyed Note 1).

- Keyed Note 3: clarify that 2" pipe installed by impact moling must be welded HDPE pipe, not PVC pipe.

- Keyed Note 9: clarify that water main under path is not in operation but there is an active control cable associated with it. Contractor to pothole this in a location that will not damage asphalt path. Also, other water main shown on plans is in operation and must be potholed to confirm location (Tribe is not able to locate this pipe because it has no tracer wire).

- Detail 1: clarify that joints on HDPE pipe are to be electrofusion or butt welded, or an approved equivalent joint method.

SHEET C3.1:

- BURIED METER BOX DETAIL and MATERIAL LIST #16: Change meter box from Carson 3048 meter box to Carson Specification Grade 24 Series, 24" x 36", 18" depth, or approved equivalent.

- HOT BOX DETAIL: Add a tee oriented vertically and a brass hose bibb to add the capability to manually vent the piping system. Add this tee and hose bibb on the horizontal pipe to the left of the flow meter near the 90 degree bend.

- Note 2: Clarify that "corrosive surfaces" means all unprotected ferrous metal surfaces.

- Note below Buried Meter Box Detail: change this note to read as follows:

NOTE: ALL PIPING INSIDE BURIED METER BOX TO BE SCH. 80 PVC PIPE

SHEET C3.2:

- Tracer Wire Locator Box Detail: clarify that tracer wire locator box to include 2.5 ft by 2.5 ft by 4 inch concrete collar, similar to detail 3, Sheet C2.1.

ATTACHMENTS INCLUDED ON FOLLOWING PAGES:

- **PRE-BID AGENDA (2 pages)**
- **DETAIL A1 (1 page)**
- **REVISED COST PROPOSAL (4 pages)**

PRE-BID MEETING AGENDA

PROJECT: Upper Skagit Indian Tribe – STEP #2 Recirculation Project

DATE: January 31, 2018, 10:30 am and 1:30 pm

1. Pass Around Sign-In Sheet

2. Notes:
 - A. Bid Date = Wednesday, February 14, 2018 at 2:00pm
 - B. Addenda (if needed) will be e-mailed to Plan Holders
 - C. Pre-Bid Meeting is mandatory.
 - D. Bid Information (including Plans, Specs, Plan Holder's List, Addenda, etc.) is available on the Wilson Engineering website: <http://www.wilsonengineering.com/bidding-documents.aspx/>

3. Project Work Summary:
 - A. The Step #2 Recirculation Project will allow for a portion of the treated wastewater effluent to be recirculated back to the raw wastewater collection system to improve nitrogen removal. Improvements to allow this operation include installing a 48 inch diameter manhole that will allow access to the existing treated effluent pipe, a tee to a new 2-inch recirculation pipe, associated valves, an above-grade hot box and buried meter box containing flow measurement and flow control equipment and connecting to the existing STEP #2 septic tank inlet piping. The project will include installation of approximately 170 linear feet of 2-inch piping (Sch 80 PVC or HDPE). This 2-inch pipe will cross one roadway and one paved community path, and this portion shall be installed using impact moling to prevent impact to the existing paved surfaces. Project also includes all other work in accordance with the attached Contract Plans, these Contract Provisions, and the WSDOT Standard Specifications.
 - a. Note proximity to existing septic tank and other utilities.
 - b. Note that if dewatering needed, route to the grassy area to the east. Bid item will only be paid if dewatering is needed, which is unlikely based on nearby geotechnical investigation.
 - c. Note WrapidSeal requirement for manhole.
 - d. Note fenced area must be closed up at end of each work day.
 - e. Note limitation on how long treated effluent line can be offline during tie-ins: no more than 6 hours. Need to coordinate closely with Tribe's Public Works Department who will assist in depressurizing the line.

- f. Note Child Development Center across the street – many parents dropping off children in the morning & the need for truck turning signs when construction entrance is active. Also gym across street.
- g. Depending on timing of project in relation to 4th of July Holiday may not have access to gravel area/gym parking lot for staging (from Mid-June – July 11th this area is in use by Tribe).

B. Restoration at all sites to pre-project conditions is also a condition of the work to be performed.

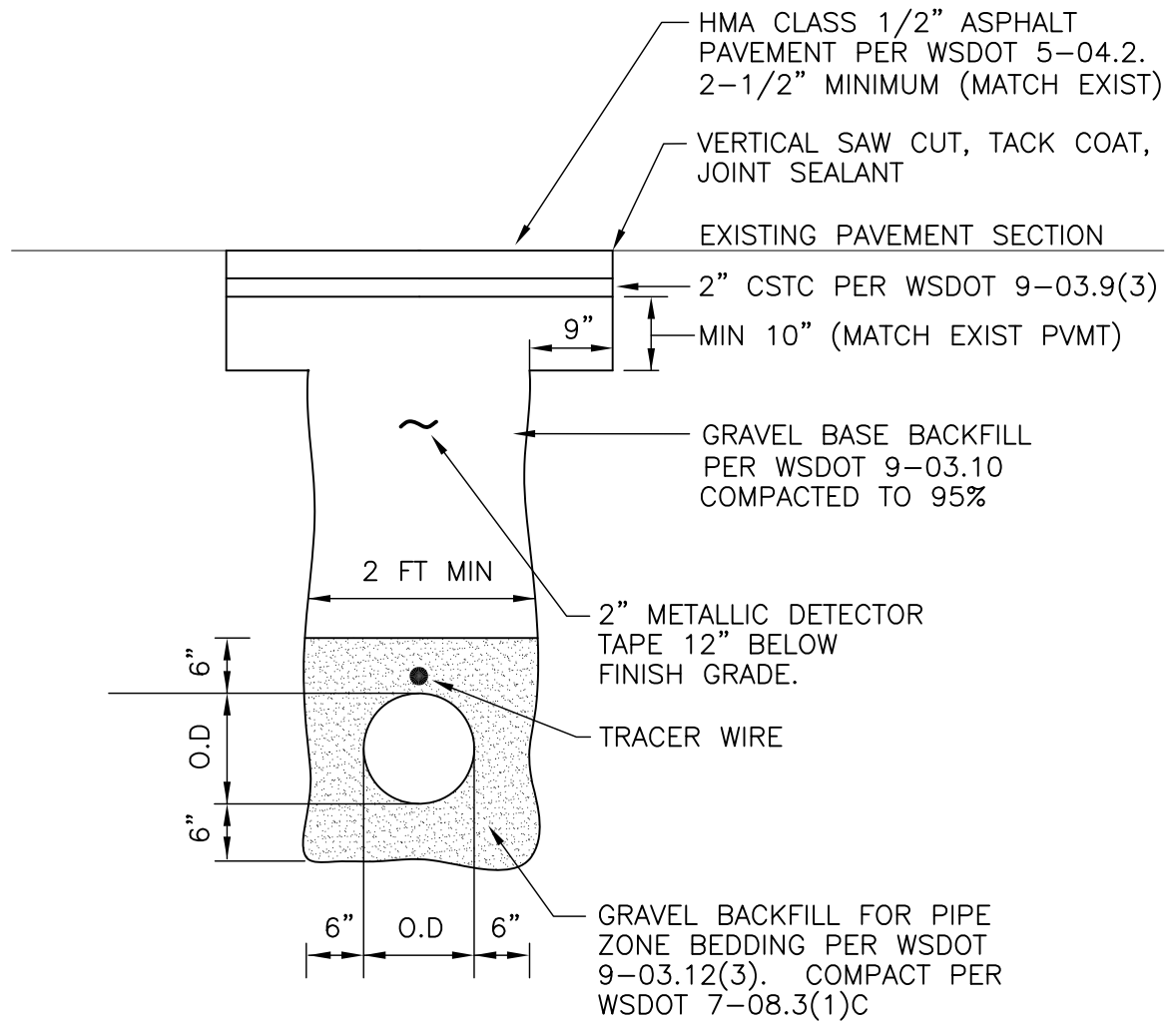
C. All bidders must be licensed contractors registered in the State of Washington, be registered on the federal System for Award Management website, www.sam.gov, and must not be on the Federal Debarment List. All work performed on this project will be subject to Davis-Bacon federal wage rates.

4. Schedule:

Time for completion is defined as **80 working days** from the Notice to Proceed Date. However, the number of days the contractor's labor and equipment can be on-site is limited to 20 continuous working days within this 80 day period. The intent of this is to provide sufficient time for submittals and equipment procurement.

5. Questions?

DETAIL A1 – ASPHALT RESTORATION



COST PROPOSAL

Name of Bidder: _____

Ladies and Gentlemen:

Submittal of this Cost Proposal for the **Upper Skagit Indian Tribe STEP #2 Recirculation Project** warrants that the undersigned has:

1. Examined the site, plans and specifications, and laws and ordinances governing the work;
2. Agreed to perform the work complete and provide a system in full operation, including all labor, materials and equipment in accordance with the terms and provisions of the Contract Documents and for the prices tendered;
3. Agreed to perform the work in accordance with the time of completion as set forth in Supplemental Conditions, after which specified liquidated damages will be assessed.
4. Not, either directly or indirectly, entered into any agreement, participated in any collusion, or otherwise taken any action restraining free competitive bidding for the project.

Contractor: _____

Address: _____

Phone: _____ Date: _____

Contractor's State License Number: _____

By: _____ Title: _____

The bidder acknowledges receipt of the following addenda, and agrees to the conditions set forth therein, by placing his initials in the appropriate place:

Addendum No. 1 _____ Addendum No. 2 _____ Addendum No. 3 _____ Addendum No. 4 _____

The following described items shall define the full extent of the work.

In compliance with the contract documents, the following bid proposal is submitted:

I am the _____ (title) of Bidder, have authority to bind Bidder, am over the age of 18, and have personal knowledge of the facts set forth above and included in the Proposal.

Dated this _____ day of _____, 2018 at _____ (city), _____ (state).

Signature: _____

Print Name: _____

Title: _____

Total Bid in Words (Items 1 through 26): _____

BID FORM

Bid Item No.	Spec. Section	Bid Item Description	UNIT	Est. Qty.	Unit Price	Total Price
1	1-09.7	Mobilization	LS	1	\$	\$
2	1-10	Project Temporary Traffic Control	LS	1	\$	\$
3	2-09	Structure Excavation Class B, Incl. Haul	CY	12	\$	\$
4	2-09	Shoring or Extra Excavation Cl. B	LS	1	\$	\$
5	2-11	Trimming and Cleanup	LS	1	\$	\$
DIVISION 7: DRAINAGE STRUCTURES, STORM SEWERS, SANITARY SEWERS, WATER MAINS AND CONDUITS						
6	7-05	Manhole 48-inch Type 1, including water tight pipe connections, seal around exterior joints, and other associated items	EA	1	\$	\$
7	7-09	4 inch HDPE (DR17) Pipe installed to connect existing treated effluent pipe to new manhole location	LF	35	\$	\$
8	7-09	PVC (Sch 80) or HDPE (DR17) Pipe for recirculation, 2 inch diameter installed by open trenching	LF	120	\$	\$
9	7-09	HDPE (DR17) Pipe for recirculation, 2 inch diameter installed under asphalt by impact moling	LF	50	\$	\$
10	7-12	4-inch Buried Gate Valve Assembly, including fittings, valve box and concrete collar	EA	2	\$	\$
11	7-12	2-inch Buried Gate Valve Assembly, including fittings, valve box and concrete collar	EA	1	\$	\$
12	7-12	4-inch Check Valve with Flanged Coupling Adaptors (to be located in 48" manhole)	EA	1	\$	\$
13	7-12	2-inch Check Valve with Coupling Connection (to be located in 48" manhole)	EA	1	\$	\$
14	7-12	Installation of Bronze Valve Marker	EA	3	\$	\$
15	7-13	Hot Box and Buried Meter Box Assemblies with piping, valving, flow meter, heat trace, associated electrical work, and misc. accessories including concrete slab with compacted bedding	LS	1	\$	\$
16	7-16	Tracer Wire Boxes for Pipe Detection	EA	2	\$	\$
DIVISION 8: MISCELLANEOUS CONSTRUCTION						
17	8-01	Erosion Control / Water Pollution Control	LS	1	\$	\$

18	8-01	Dewatering for 48" Manhole Excavation (only to be used if needed)	LS	1	\$	\$
19	8-02	Site Restoration including Topsoil Type B, hydroseeding, clean-up and restore to original conditions	LS	1	\$	\$
20	8-05	Locate, Paint, and Pot Hole Existing Util- ities	LS	1	\$	\$
21	8-19	Temporarily Remove and Replace Exist- ing Chain Link Fencing Topped With 3 Strand Barbed Wire	LF	30	\$	\$
22	8-19	Temporarily Remove and Replace Exist- ing Privacy Fence Adjacent to Manhole	LF	20	\$	\$
23	4-02	Gravel Base	CY	7	\$	\$
24	4-04	Crushed Surfacing Top Course	CY	0.4	\$	\$
25	5-04	HMA Cl. 1/2" PG 64-22	CY	0.4	\$	\$
26		Tie-ins to Existing Pipes	LS	1	\$	\$
BASE BID TOTAL						\$

TOTAL CONTRACT BID AMOUNT (Items 1 through 26)

\$ _____

Note: Payments will be made for actual quantities of bid items installed on the project. Estimated contract quantities are intended to provide for some contingency with respect to rock, paving operations, and miscellaneous alignment adjustments, and to establish a not-to-exceed level of construction cost for Owner's planning purposes. If required by actual field conditions, bidders should be prepared to perform all expected and contingency work reflected in the estimated contract quantities and in the quantity ranges identified for additive and deductive unit prices. Bidders should not, however, expect to be paid the total contract price if the contingency quantities are not required to be installed by actual field conditions.

End of Bidder's Cost Proposal